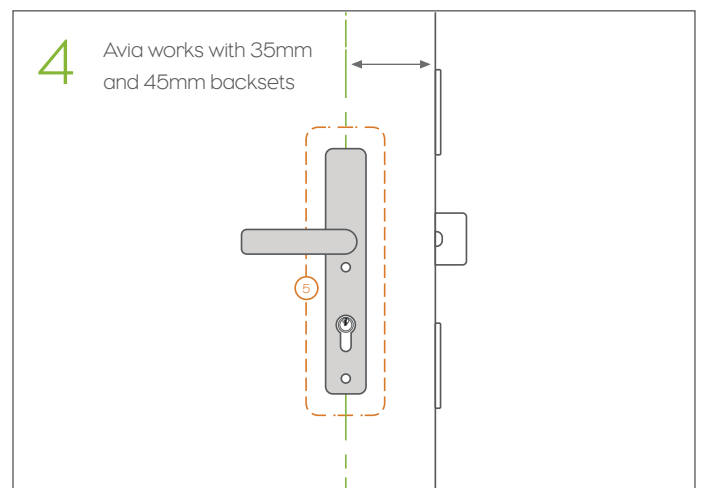
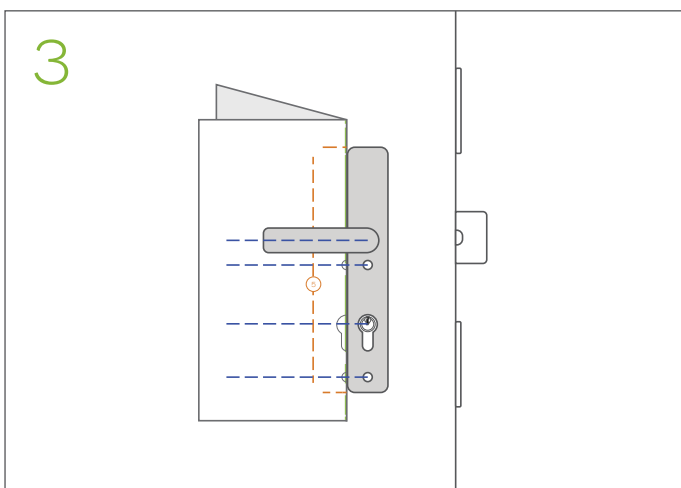
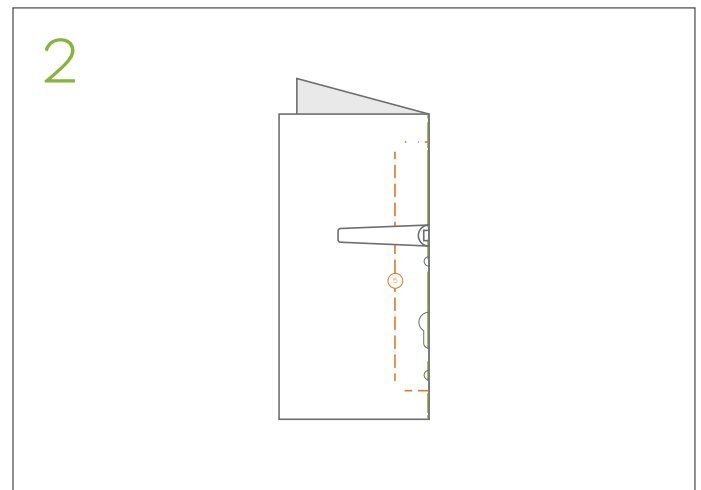
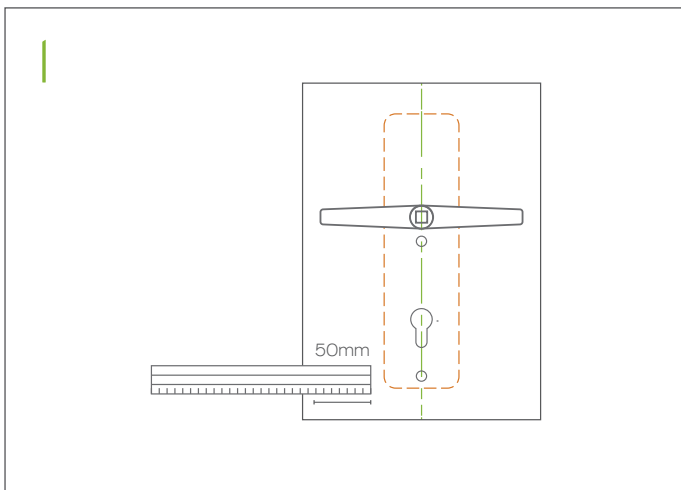


# 122 mm step by step template guide

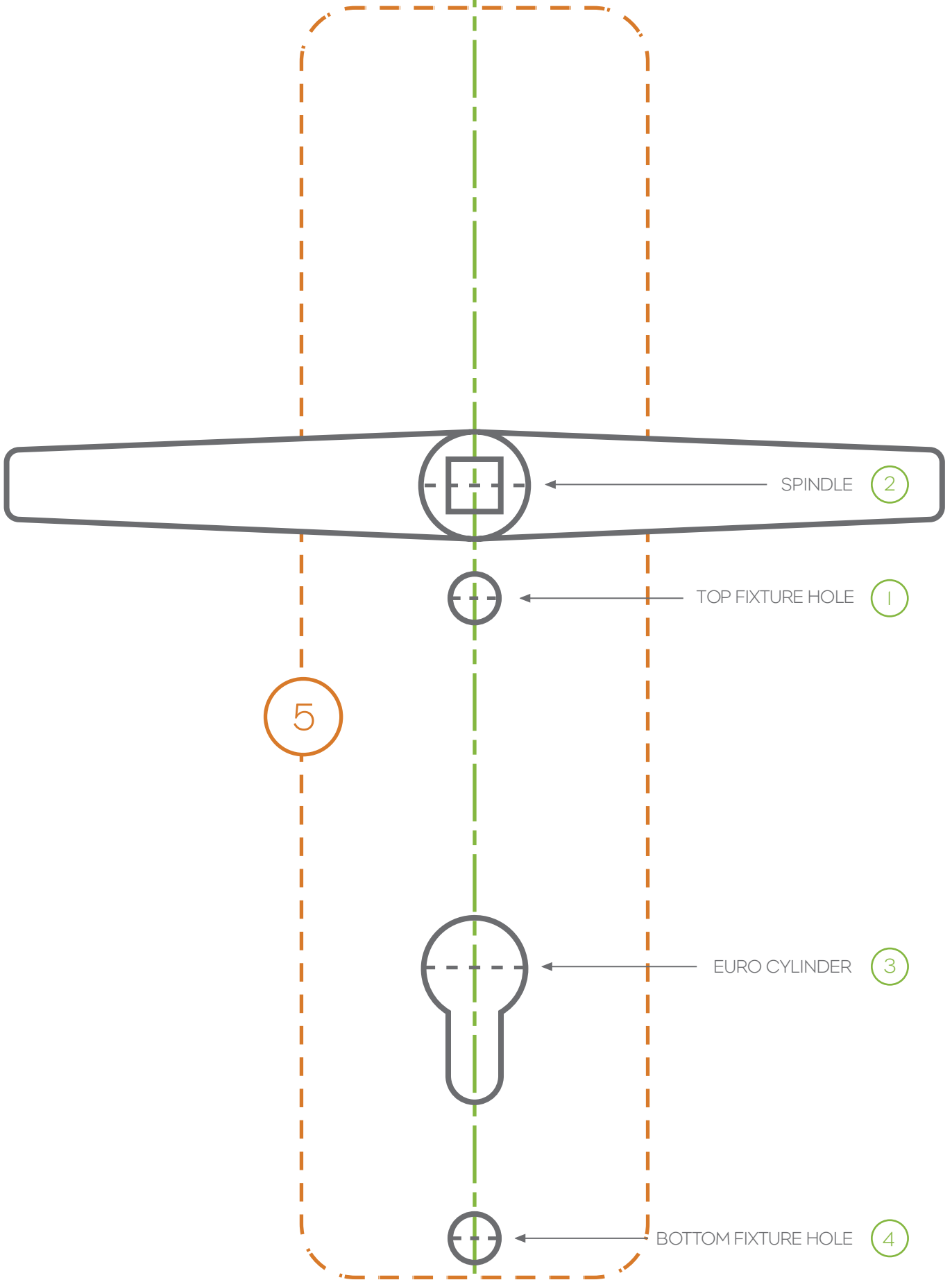


- 1 Print out this template I:I size on A4 portrait and measure the 50mm reference line to ensure the I:I measurement is correct and you printed to size.
- 2 Fold template along the 'fold line' and reverse fold, so that the template drawing is on the outside.
- 3 Simply put the template up to your existing handle to see if the top and bottom fixture holes (1) and (4) are aligned and also that the spindle (2) and euro cylinder (3) are matched to the template.
- 4 The orange dashed line (5) shows the size of the Avia smart lock. Please ensure that there is adequate clearance around the lock body in order for Avia to be fitted. The surface needs to be flat and free from obstructions.



Avia dimensions:  
Width 66mm X Height 242mm  
Works with 35mm and 45mm backsets

FOLD HERE



50MM REFERENCE LINE  
1:1 SCALE

FOLD HERE